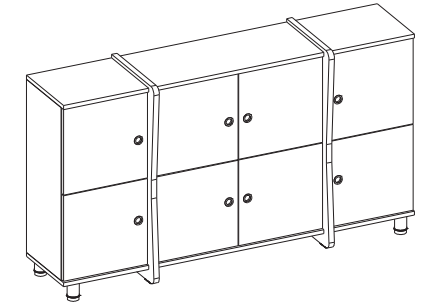
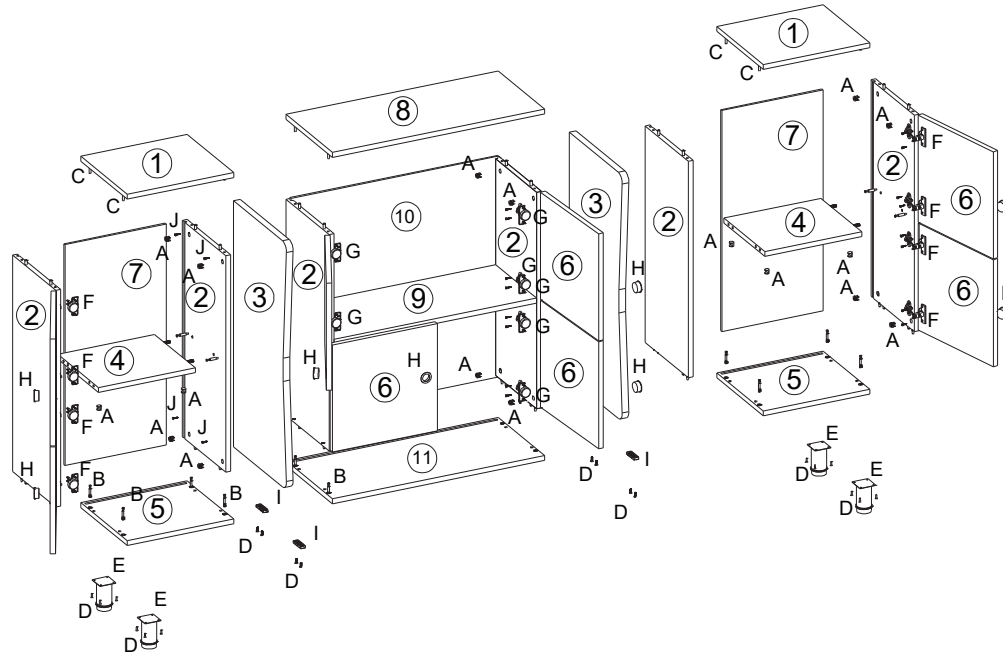


furniture component	PCS.
1-Side Top Tables	2
2-Side Tables	6
3-Middle Table	2
4-Side Shelves	2
5-Bottom Table	2
6-Doors	8
7-Back Table	2
8-Middle Top Table	2
9-Middle Shelf	1
10-Middle Bottom T.	1
11-Middle Back T.	1



ACCESSORIES LIST

36 A	36 B	36 C	102 D 3,5x18	4 E	8 F
					8 G
					8 H
					4 I
					16 J 3,5x30

