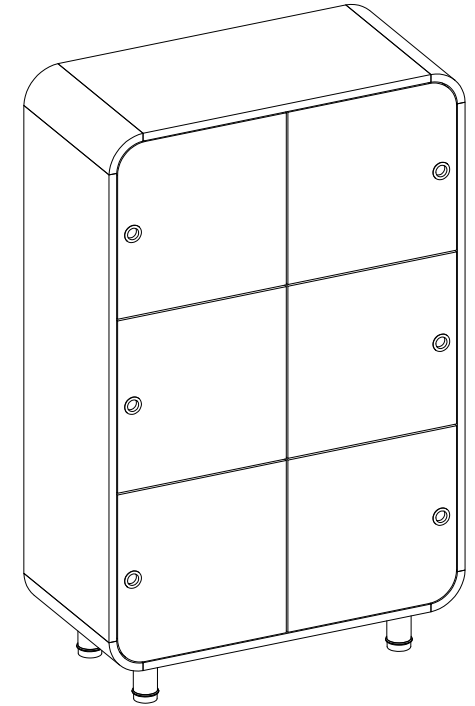
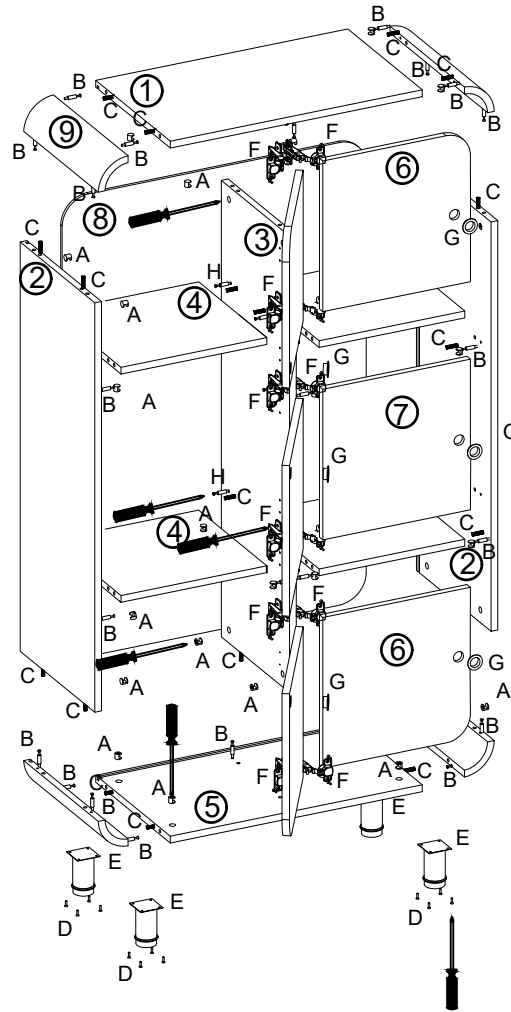


furniture component	PCS.
1-Top Table	1
2-Side Tables	2
3-Middle Table	1
4-Shelves	4
5-Bottom Table	1
6-Doors	4
7-Middle Doors	2
8-Back Table	1
9-Radius	4



ACCESSORIES LIST

