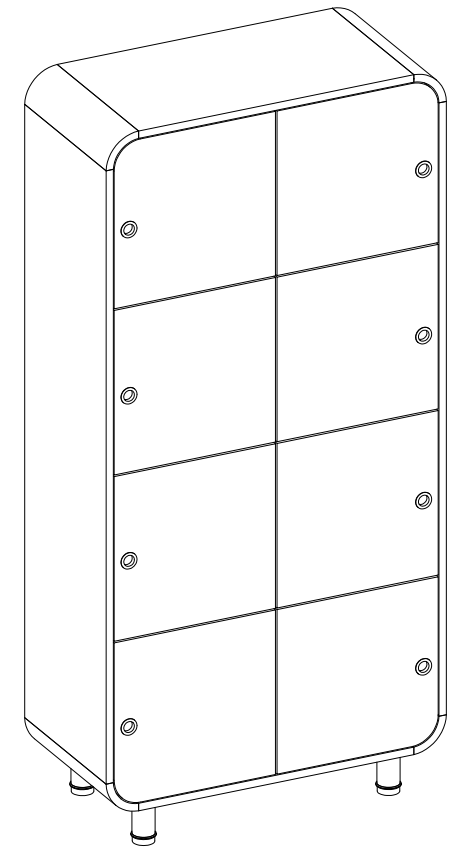
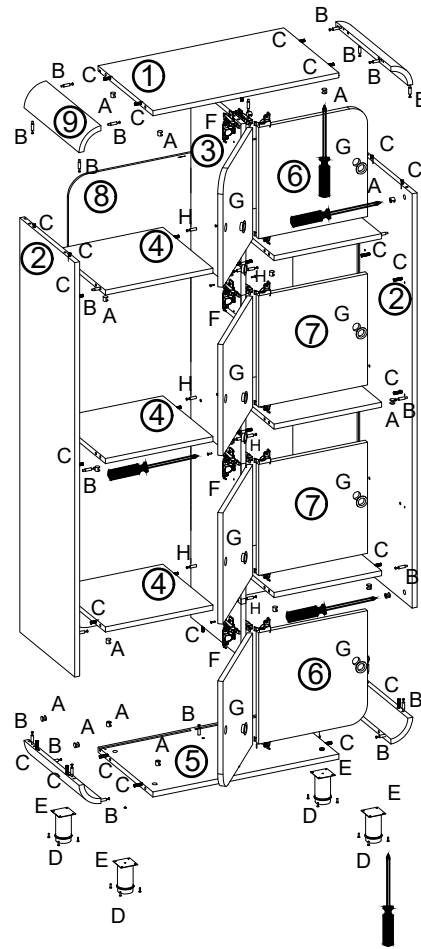


furniture component	PCS.
1-Top Table	1
2-Side Tables	2
3-Middle Table	1
4-Shelves	6
5-Bottom Table	1
6-Doors	4
7-Middle Doors	4
8-Back Table	1
9-Radius	4



ACCESSORIES LIST

$\frac{44}{A}$ 	$\frac{32}{B}$ 	$\frac{44}{C}$ 	$\frac{84}{D}$ 	$\frac{4}{E}$ 	$\frac{16}{F}$ 	$\frac{8}{G}$ 	$\frac{6}{H}$