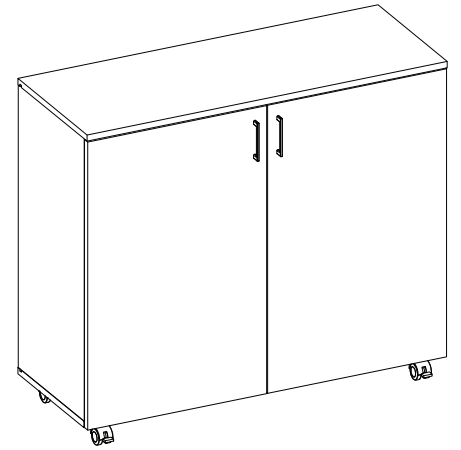
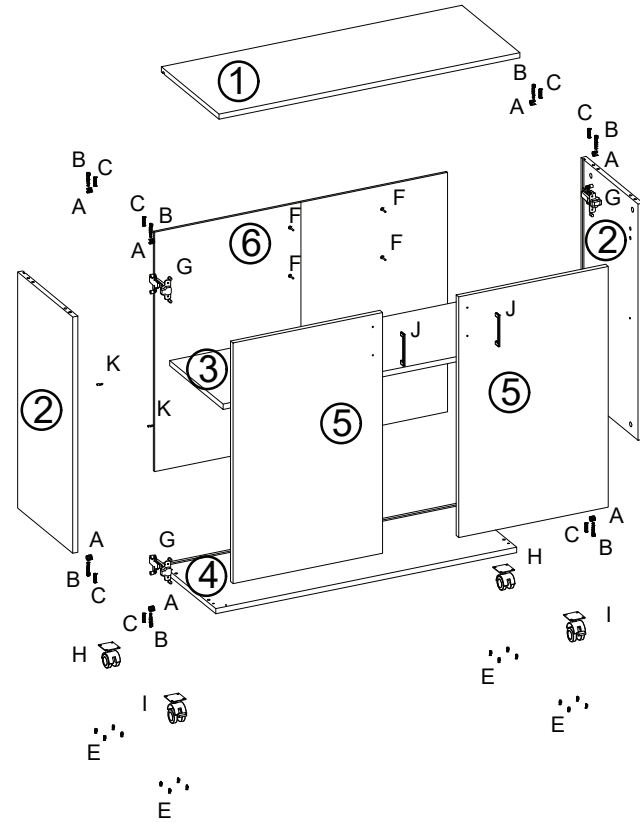
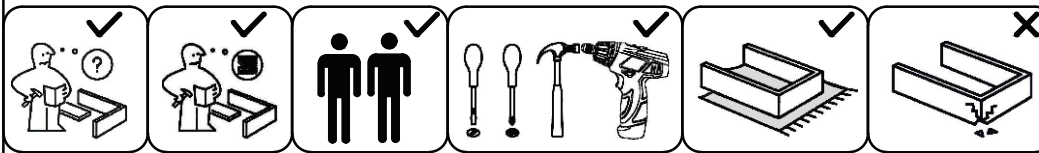


furniture component	PCS.
1-Top Table	1
2-Side Tables	2
3-Shelf	1
4-Bottom Table	1
5-Doors	2
6-Back Table	2



ACCESSORIES LIST



$\frac{8}{A}$	$\frac{8}{B}$	$\frac{8}{C}$	$\frac{16}{D}$	$\frac{16}{E}$	$\frac{4}{F}$	$\frac{4}{G}$	$\frac{2}{H}$	$\frac{2}{I}$	$\frac{2}{J}$	$\frac{4}{K}$
			3.5x18	4.8x19	M4x22					

